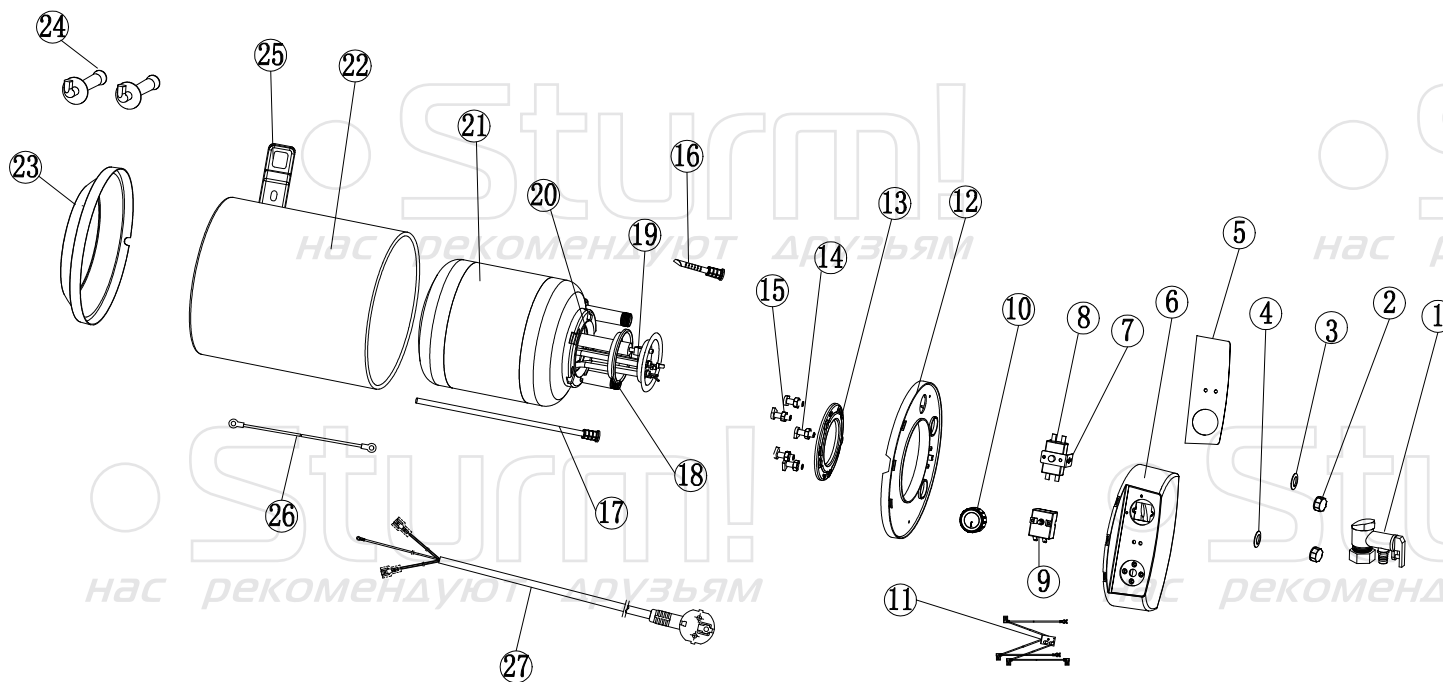


Sturm!  
нас рекомендуют друзья

Sturm!  
нас рекомендуют друзья

WH3010UR WH3015UR



NO.	DESCRIPTION
1	Pressure relief valve
2	End cap
3	Blue ring
4	Red ring
5	Maintenance cover sticker
6	Service cover
7	Bracket of thermal cutout
8	Capillary thermal cutout
9	Capillary thermostat
10	Knob
11	Inner wires with indicators
12	Bottom cover
13	Flange
14	Square head bolt
15	Nut
16	S/s inlet pipe
17	S/s outlet pipe
18	Silicon rubber sealing ring
19	Heating element
20	Magnesium anode
21	Enamel coating inner tank
22	Outer tank
23	Upper cover
24	Expansion bolt
25	Body mounting bracket
26	Earth wire
27	Power cable with plug

WH3010UR WH3015UR-EX-RUS20221014

Sturm!  
нас рекомендуют друзья

Sturm!  
нас рекомендуют друзья